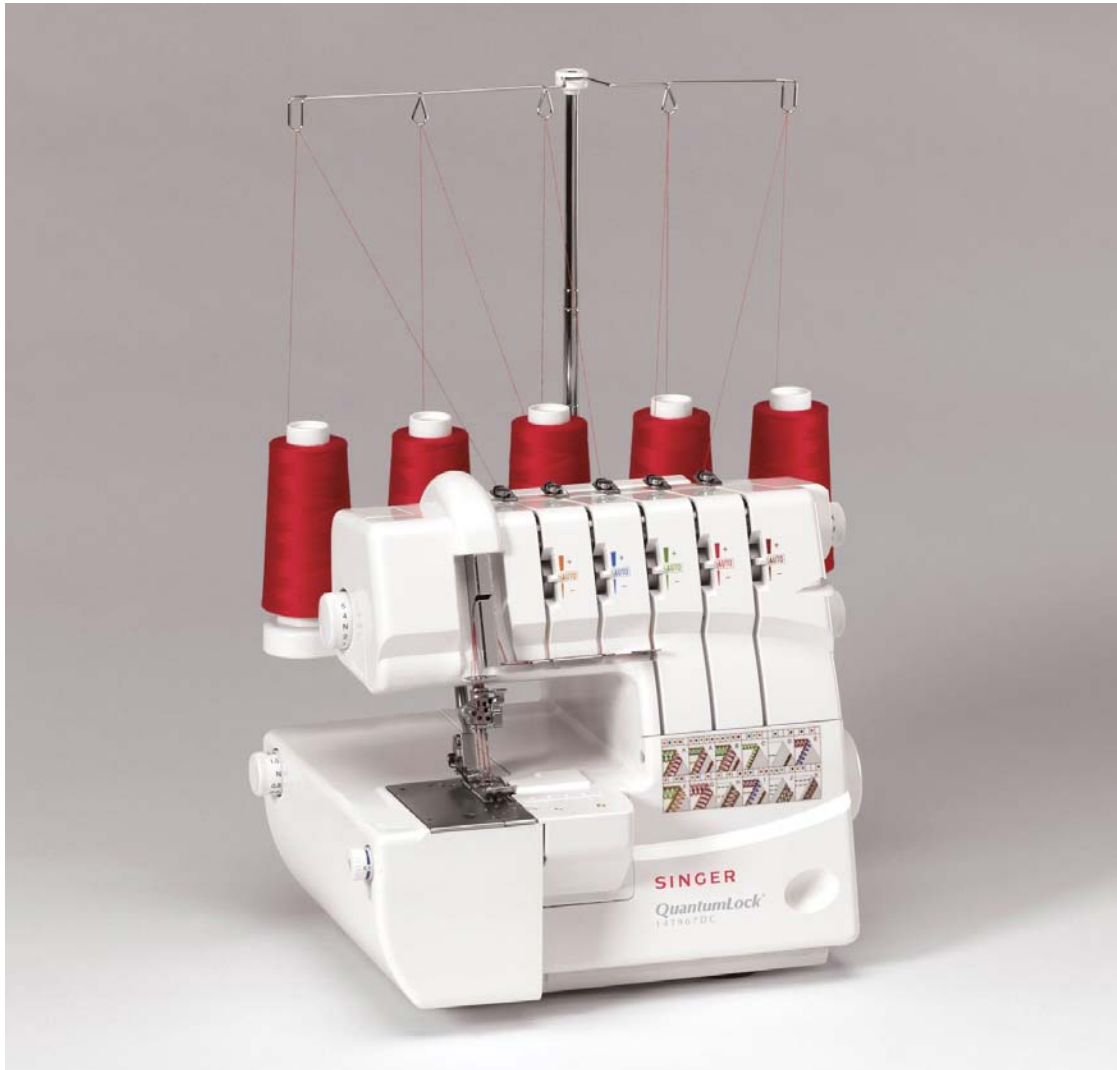


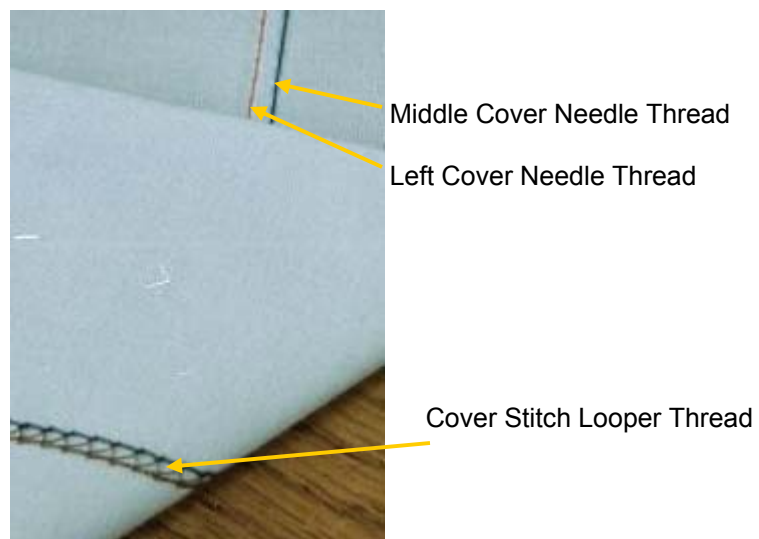
SINGER®

Cover Stitch Narrow



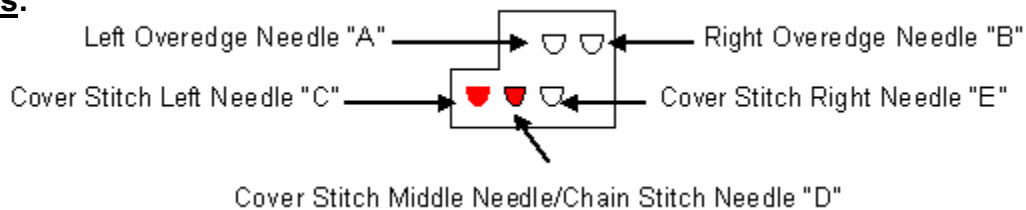
Cover Stitch Narrow

This professional Cover Hem stitch is a necessary requirement for today's sewing. The stitch is often seen in ready-to-wear garments. Two needles create parallel rows of topstitching and one looper sews an edge finish on the underneath side. Depending on which needle position is selected, the width can be 5.6mm wide or 2.8mm wide.



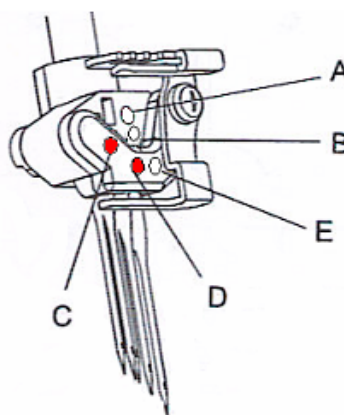
Set up:

Needles:



Set-up:

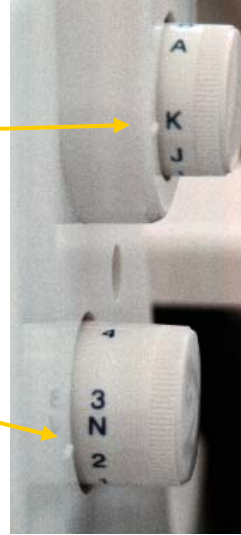
ATD: Auto Tension Dial	"K"
Left Cover Stitch Needle "C" (Orange)	Threaded
Middle Cover Stitch Needle "D" (Blue)	Threaded
Right Cover Stitch "E" Needle	Not Threaded
Overedge Left "A" Needle	Not Threaded
Overedge Right "B" Needle	Not Threaded
Upper Looper (Green)	Looper Disengaged and Not Threaded
Spreader	Not Used
Lower Looper	Not Threaded
Chain Stitch Looper (Brown)	Threaded
Upper Looper Clutch	"C"
Upper Knife	Non-working Position
Seam Guide Plate	Installed
Seam Width Dial	"N"
Stitch Length Dial	"N"
Presser Foot Pressure	"N"
Differential Feed Dial	"N"
Stitch Finger	"R"



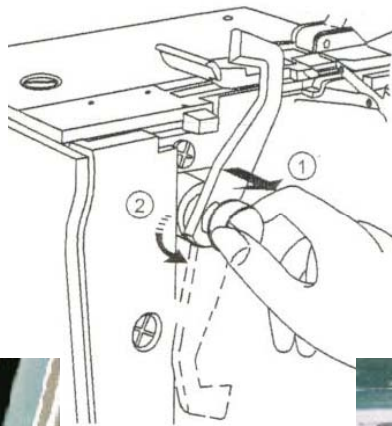
Cover Stitch Narrow

- ◆ Turn Auto Tension Dial to “K”.

- ◆ Turn Stitch Length Dial to “2.5”.



- ◆ Disengage Upper Knife. The knife will not trim the fabric when it is disengaged.
 1. Open Looper Cover.
 2. Pull the movable knife holder (silver screw) to the right as far as it will go.
 3. Turn the holder counter clockwise until the knife clicks into a lock position.



Upper Knife Engaged



Upper Knife Disengaged

SINGER®

- ◆ Turn Presser Foot Pressure Dial to “N”.



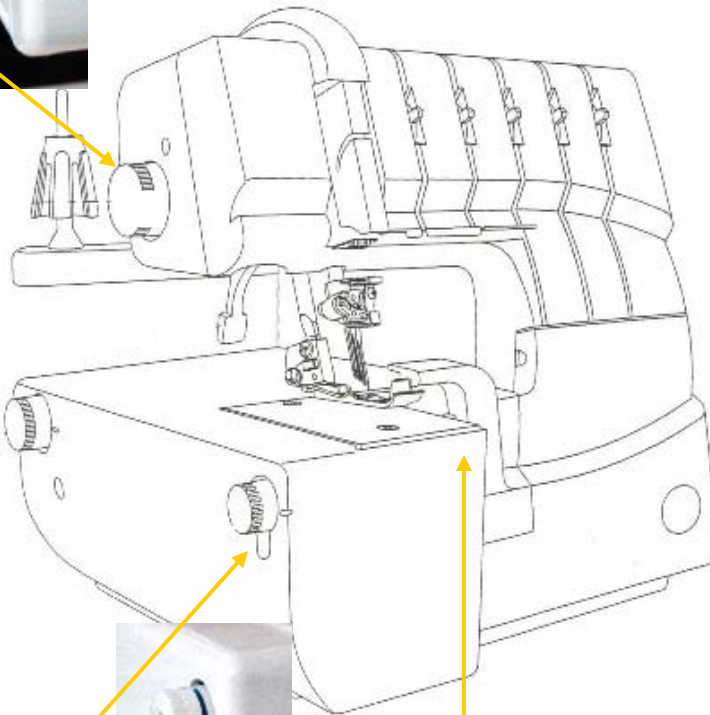
- ◆ Turn Differential Feed Dial to “N”.



- ◆ Turn Seam Width Dial to “N”.



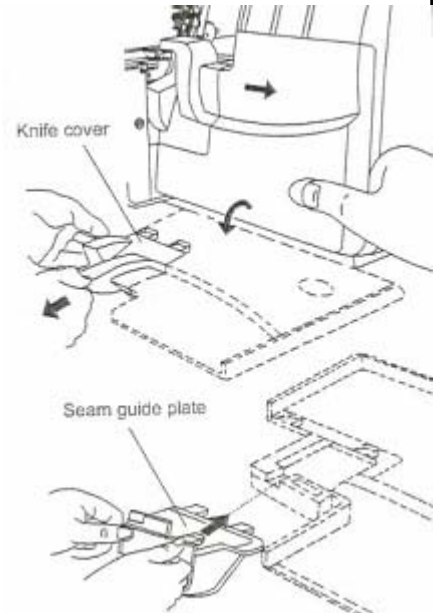
- ◆ Set Stitch Finger to “R”.



SINGER®

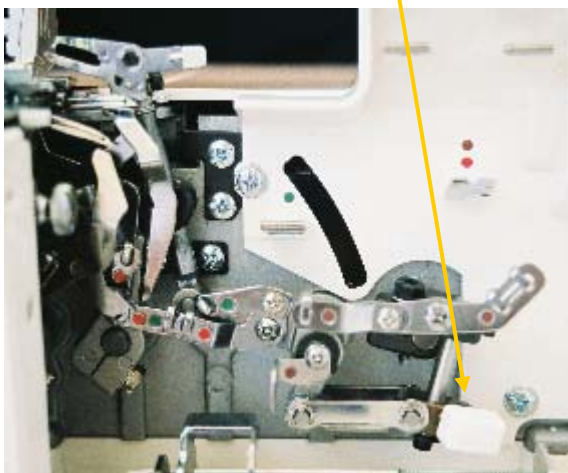
- ◆ Install the Seam Guide Plate. The Seam Guide Plate provides a flat surface for the fabric and seam guides. It can only be used when the knife and the lower looper are disengaged. The Seam Guide Plate is used when sewing the Chainstitch, Cover Stitch and the Triple Cover Stitch.

1. Open looper cover.
2. Remove Knife Cover by pulling it toward you.
3. Slide the Seam Guide Plate into place.

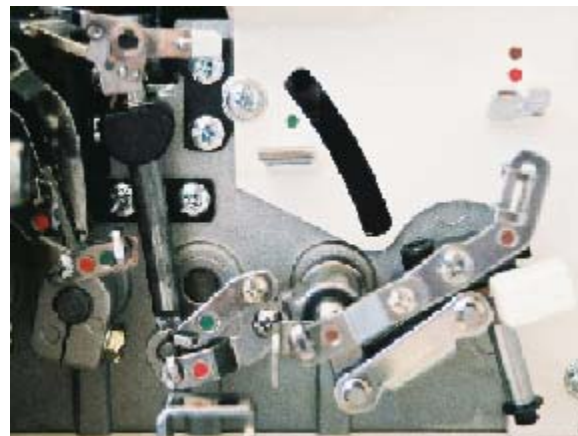
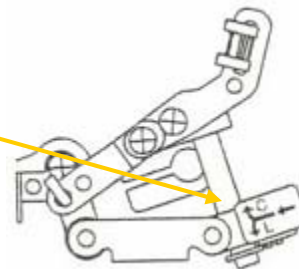


- ◆ Disengage Upper Looper. By disengaging the Upper Looper, the looper no longer moves when sewing. It is nonoperative. If the looper was still engaged it would hit the Seam Guide Plate.

1. Turn handwheel until the Upper Looper is in the lowest position.
2. Push the clutch button to the left and up to disengage.



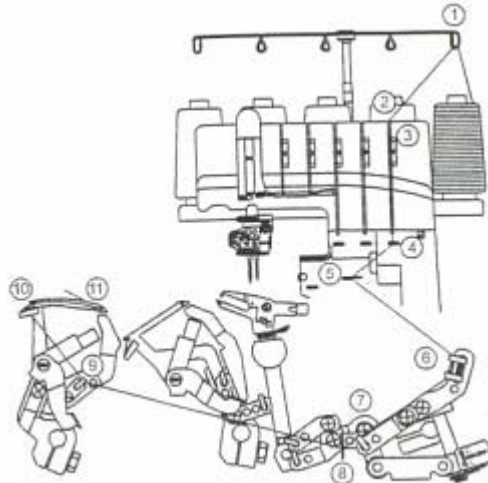
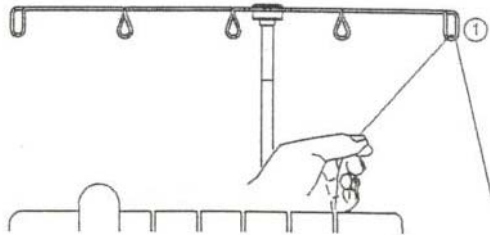
Upper Looper Engaged



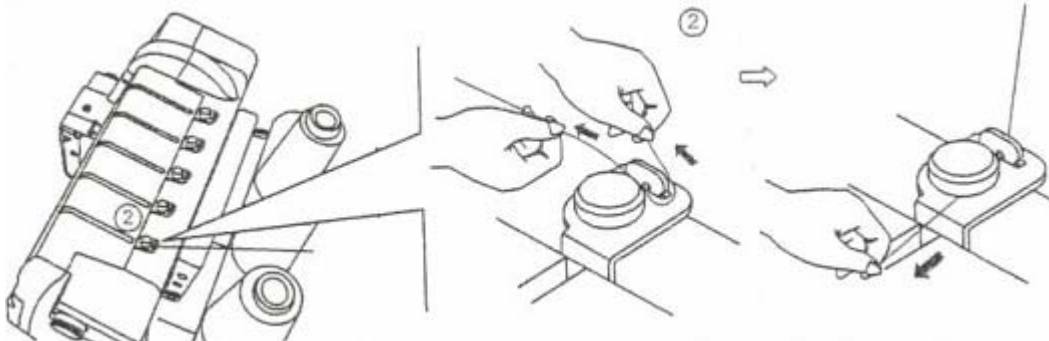
Upper Looper Disengaged

◆ Thread Chainstitch Looper with a regular overlock thread.

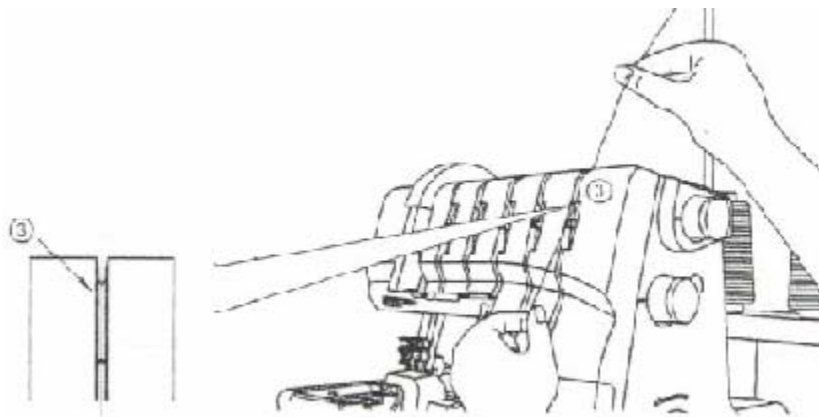
1. Raise the Presser Foot to release the tension disks. Pass the thread from the back to the front through the thread guide ①.



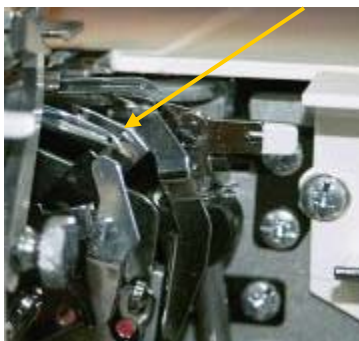
2. Thread the top cover thread guide by pulling the thread towards the left until it slips under the guide. Then pull thread along the right side of the button as illustrated.



3. While holding the thread firmly, pull the thread between the tension disks.

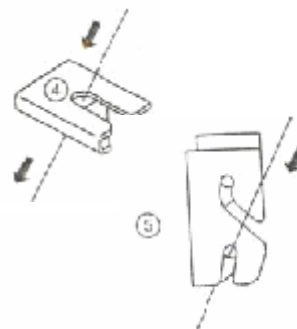


4. Turn the hand wheel toward you until the Chainstitch Looper extends out 10mm (approximately ½ inch) from the needle plate edge.



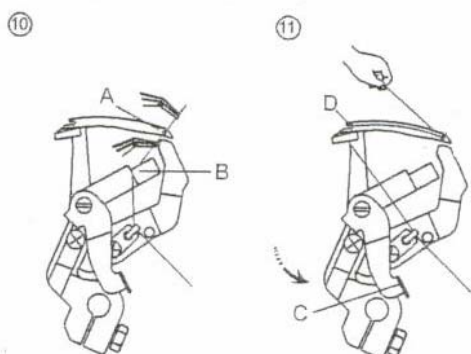
5. Thread the looper area of the machine following the brown color-coded thread guides 4-11. Use the tweezers provided in the accessory case to aid in threading the looper.

6. Place the thread through threading guides ④ and ⑤.

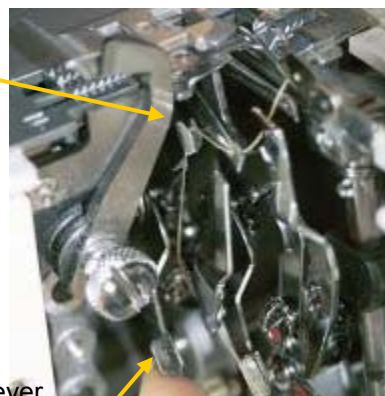


7. Continue threading guides ⑥, ⑦, ⑧ and ⑨.

8. Thread the looper eye (A) from front to back. Pull about 4 inches of thread through the looper. Position the thread into the V cutout (B) on the threader. Firmly hold the thread tail with your left hand and pull threader lever (C) up into place (D). Gently pull 5-6" of thread to the back of the machine.



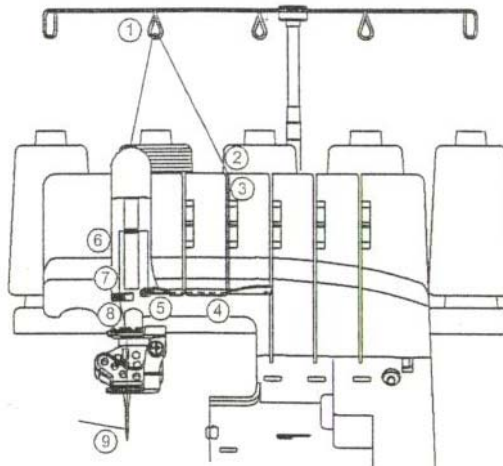
"V" cutout



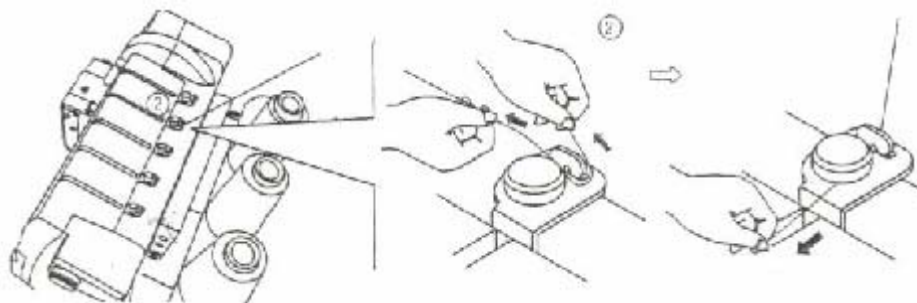
Threader Lever

◆ Thread Middle Cover needle with regular overlock thread.

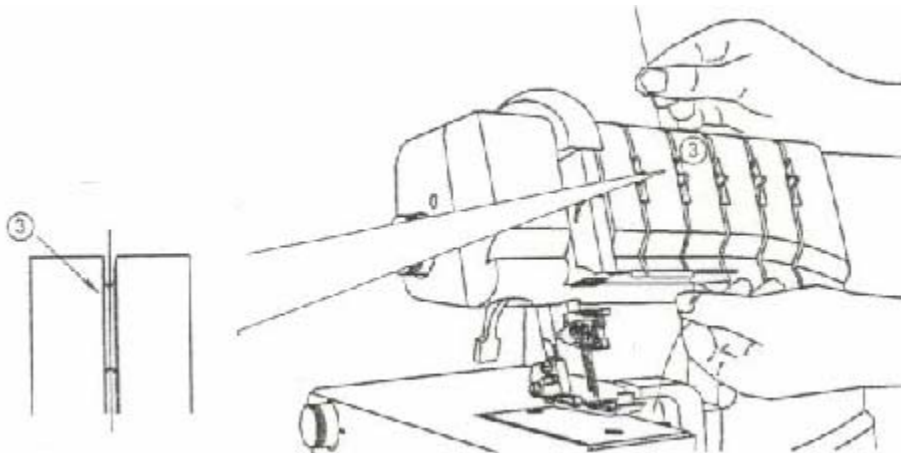
1. Raise the Presser Foot to release the tension disks. Thread the Cover Stitch Middle/Chain Stitch needle as illustrated 1-9.
2. Pass thread from back to the front through the thread guide ①.



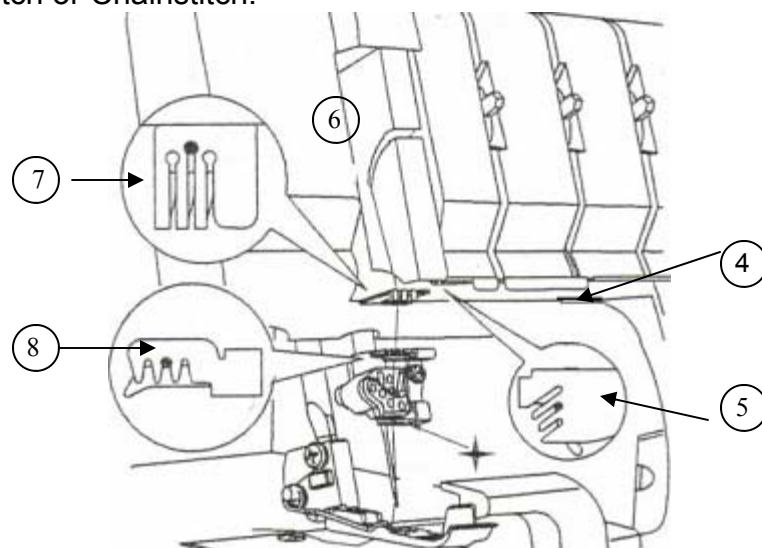
3. Thread the top cover thread guide by pulling the thread towards the left until it slips under the guide. Then pull the thread along the right side of the button as illustrated.



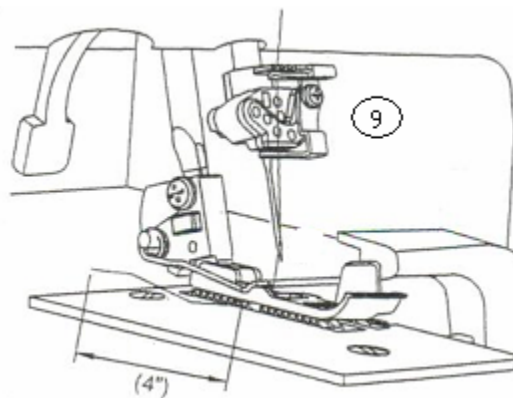
4. While holding the thread firmly, pull the thread between the tension disks.



5. Continue to thread points 4-8. Slip the thread into the middle slot of the thread guide ⑤. Go over the take up lever ⑥. Continue by slipping the thread into the middle slot of the thread guides ⑦ and ⑧.
6. Before threading the eye of the needle, make sure the thread is in front of the thread guide located on the bottom of the needle clamp for the Cover Stitch or Chainstitch.



7. Thread the eye of the middle needle ⑨.

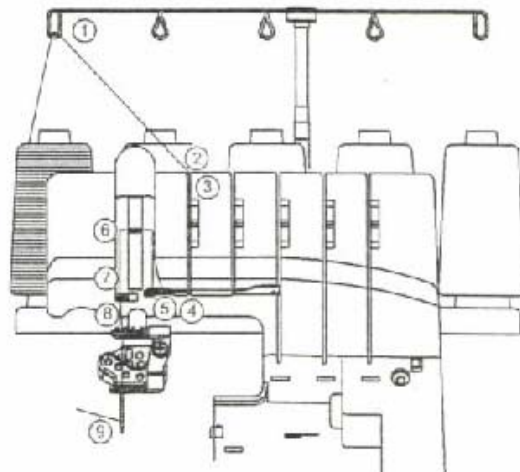
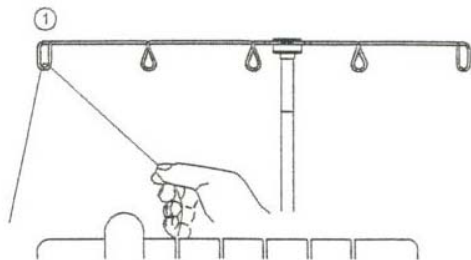


8. Draw about 4 inches of the thread through the needle eye towards the back of the machine.
9. Place the thread to the back, under the Presser Foot. Lower foot and sew.

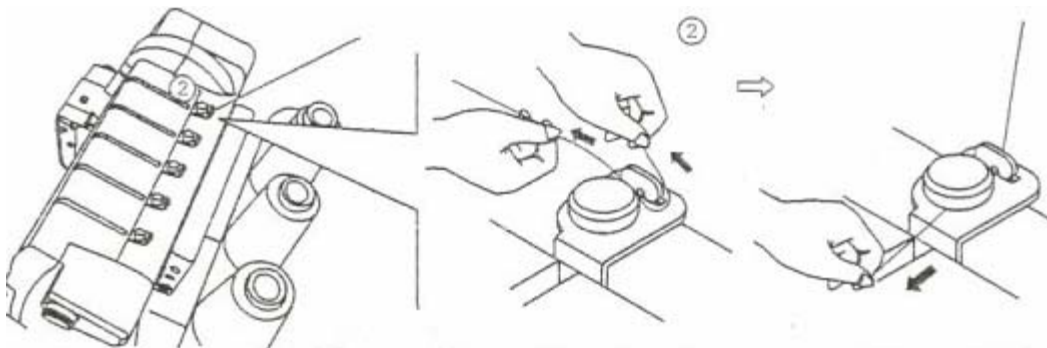
◆ Thread Left Cover Stitch needle with regular thread.

1. Raise the Presser Foot to release the tension disks. Thread the left needle as illustrated 1-9.

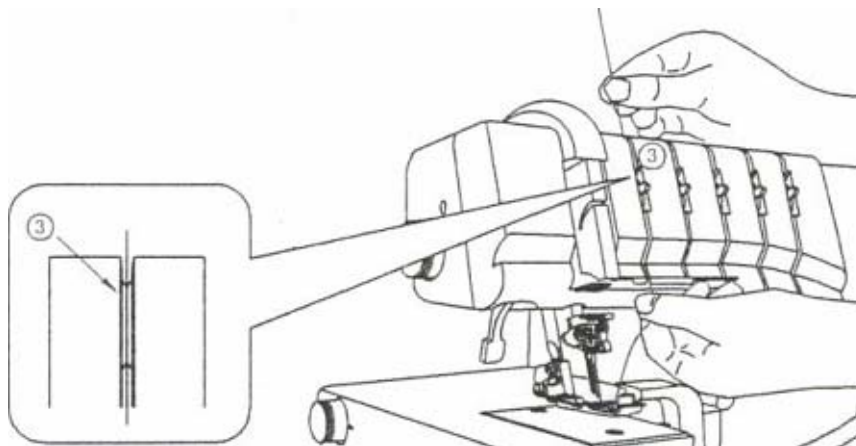
2. Pass thread from back to the front through the thread guide ①.



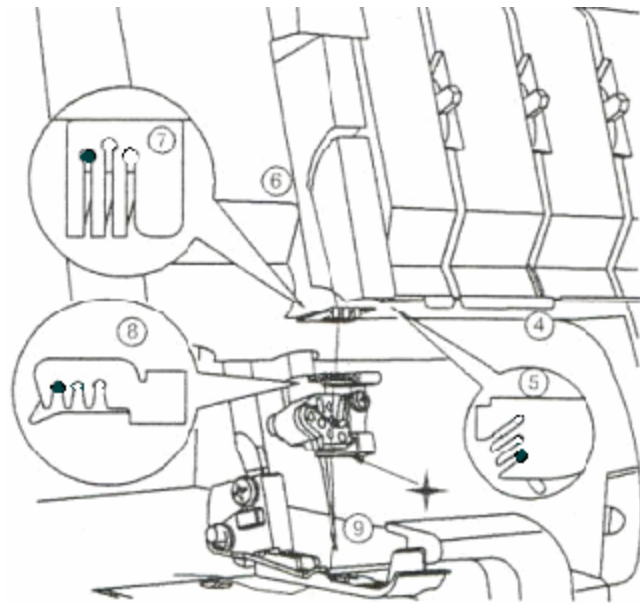
3. Thread the top cover thread guide by pulling the thread towards the left until it slips under the guide. Then pull the thread along the right side of the button as illustrated.



4. While holding the thread firmly, pull the thread between the tension disks.



5. Continue to thread points 4-8. Slip the thread into the forward slot of the thread guide ⑤. Go over the take up lever ⑥. Continue by slipping the thread into the left slot of the thread guides ⑦ and ⑧.
6. Before threading the eye of the needle, make sure the thread is in front of the thread guide located on the bottom of the needle clamp.



7. Thread the eye of the Left Cover Stitch Needle ⑨.



8. Draw about 4 inches of the thread through the needle eye towards the back of the machine.
9. Place the thread to the back, under the Presser Foot. Lower foot and sew.

Try It:

- ◆ Press a 1" hem into a knit fabric.
- ◆ Lift the Presser Foot to the highest position.
- ◆ Position the fabric right side up and under the needles.
- ◆ Align the fabric so that the fabric fold is 1" to the right of the needles. Use markings on cover for positioning and guiding fabric.
- ◆ Lower the Presser Foot.
- ◆ Turn the handwheel to assist in the stitch forming on the fabric. When sewing the Cover Hem Stitch it is necessary to have fabric under the needles while sewing.
- ◆ Sew, using the seam guides for a straight hem and to ensure the fabric's raw edge is finished.
- ◆ As the machine sews it will finish the fabric's raw edge and sew two rows of topstitching.

