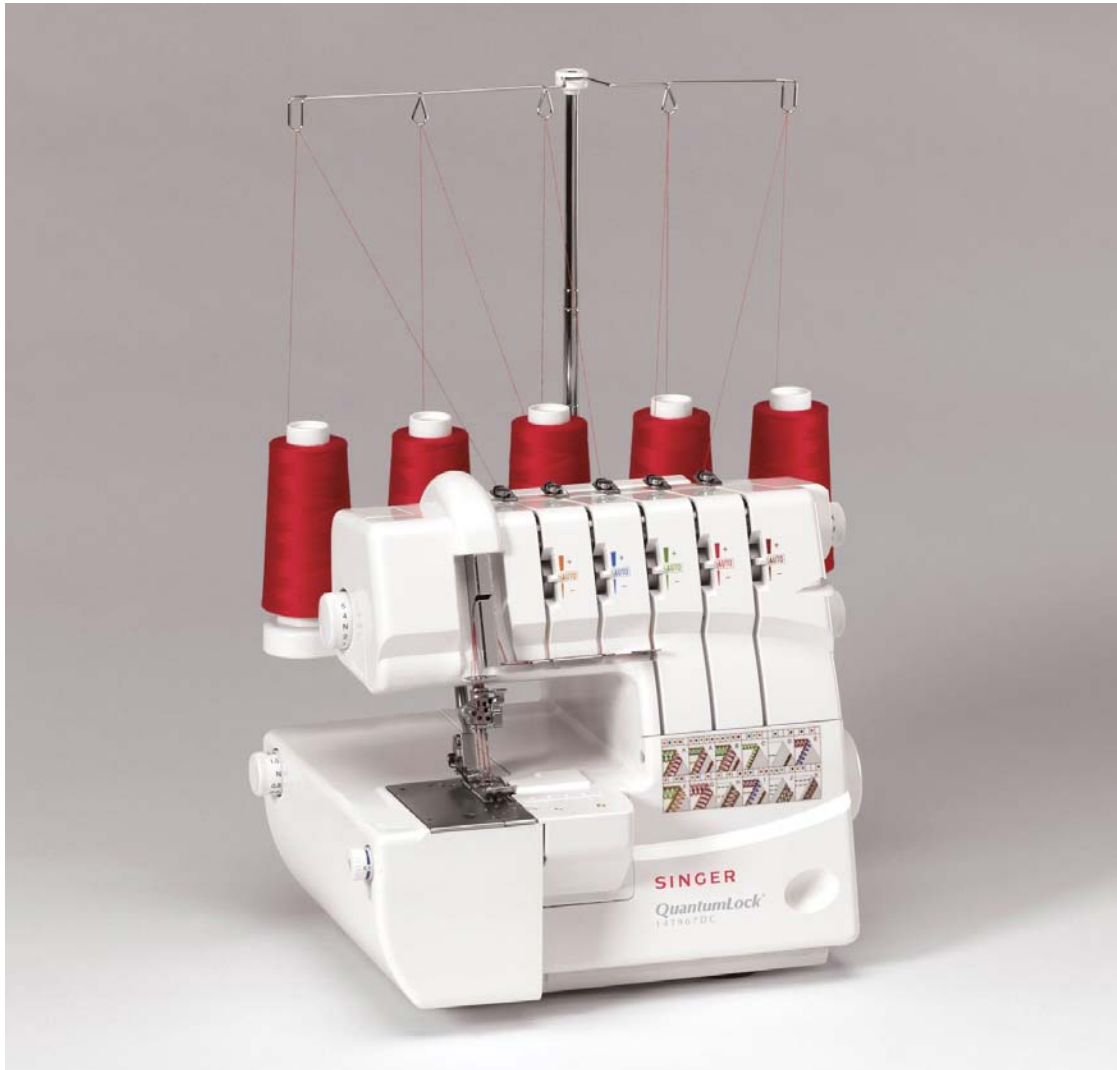


SINGER®

Double Chain Stitch



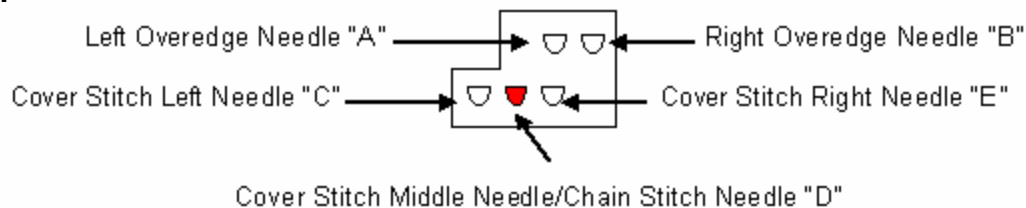
Double Chain Stitch

This stitch is suitable for straight seams. It also can be used for a decorative chainstitch topstitching effect. The Middle Cover needle and the Chainstitch Looper are used. Decorative thread can be placed in the Chainstitch Looper, the needle, or in both to create various effects.



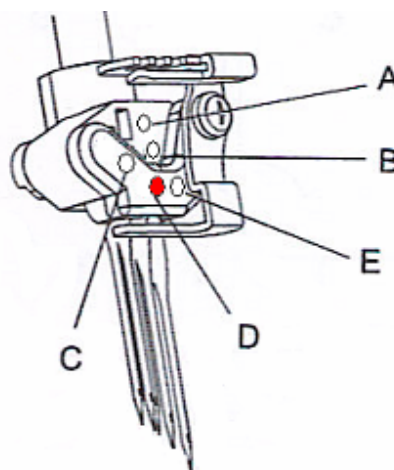
Set up:

Needle:



Set at::

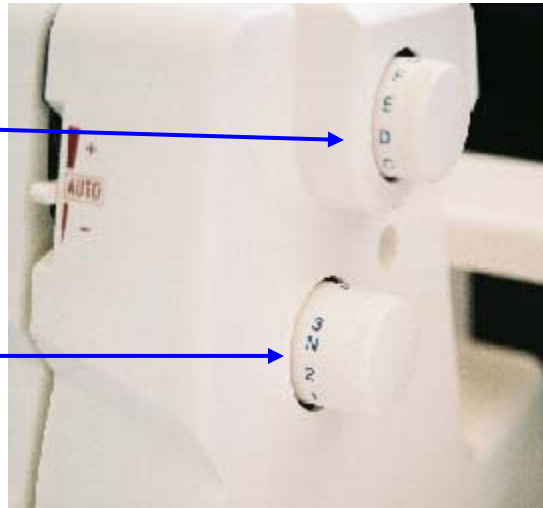
ATD: Auto Tension Dial	"D"
Left Cover Stitch Needle "C"	Unthreaded and Remove Needle
Middle Cover Stitch Needle "D" (Blue)	Threaded
Right Cover Stitch Needle "E"	Unthreaded and Remove Needle
Overedge Left Needle "A"	Unthreaded and Remove Needle
Overedge Right Needle "B"	Unthreaded and Remove Needle
Upper Looper	Looper Disengaged and Not Threaded
Spreader	Not Engaged
Lower Looper	Unthreaded
Chainstitch Looper (Brown)	Threaded
Upper Knife	Not Used
Seam Guide Plate	Installed
Seam Width Dial	"N"
Stitch Length Dial	"N"
Presser Foot Pressure	"N"
Differential Feed Dial	"N"
Stitch Finger	"R"



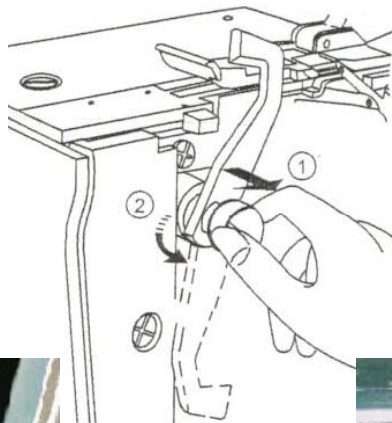
Double Chain Stitch

- ◆ Turn Auto Tension Dial to “D”.

- ◆ Turn Stitch Length Dial to “N”.



- ◆ Disengage Upper Knife. The knife will not trim the fabric when it is disengaged.
 1. Open Looper Cover.
 2. Pull the movable knife holder (silver screw) to the right as far as it will go.
 3. Turn the holder counter clockwise until the knife clicks into a lock position.



Upper Knife Engaged



Upper Knife Disengaged

SINGER®

- ◆ Turn Presser Foot Pressure Dial to “N”.



- ◆ Turn Differential Feed Dial “N”.



- ◆ Turn Seam Width Dial to “N”.

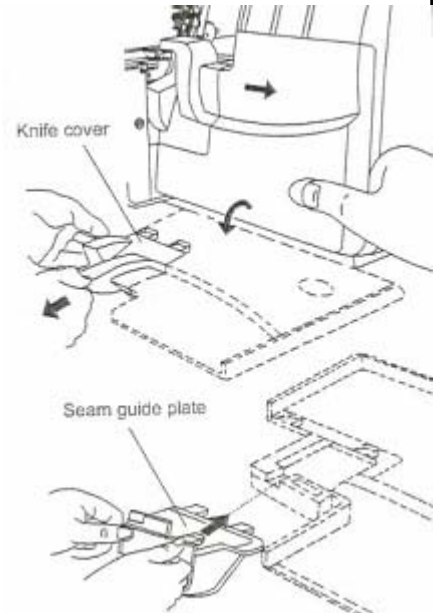


- ◆ Place Stitch Finger to “R”.

SINGER®

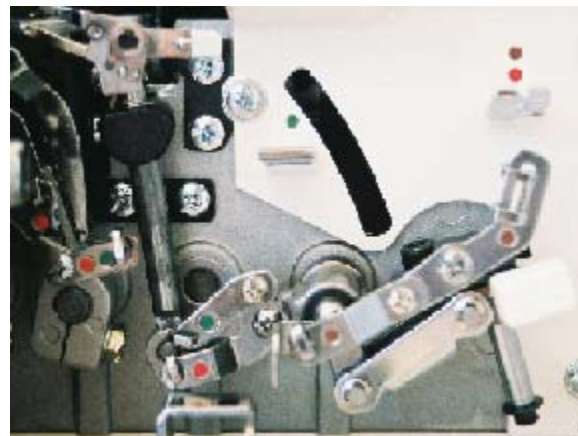
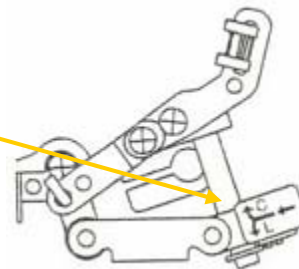
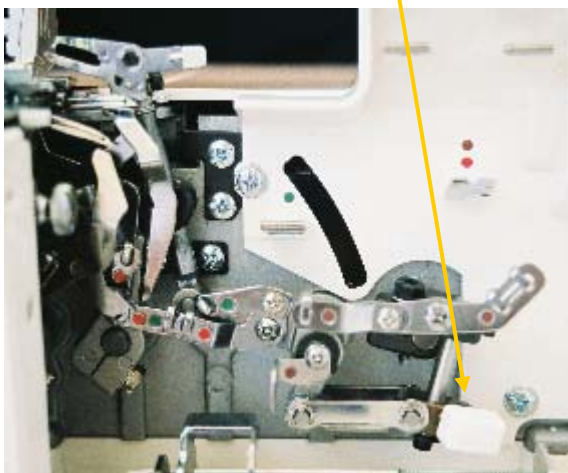
- ◆ Install the Seam Guide Plate. The Seam Guide Plate provides a flat surface for the fabric and seam guides. It can only be used when the knife and the lower looper are disengaged. The Seam Guide Plate is used when sewing the Chainstitch, Cover Stitch and the Triple Cover Stitch.

1. Open looper cover.
2. Remove Knife Cover by pulling it slightly towards you.
3. Slide the Seam Guide Plate into place.



- ◆ Disengage Upper Looper. By disengaging the Upper Looper, the looper no longer moves when sewing. It is nonoperative. If the looper was still engaged, it would hit the Seam Guide Plate.

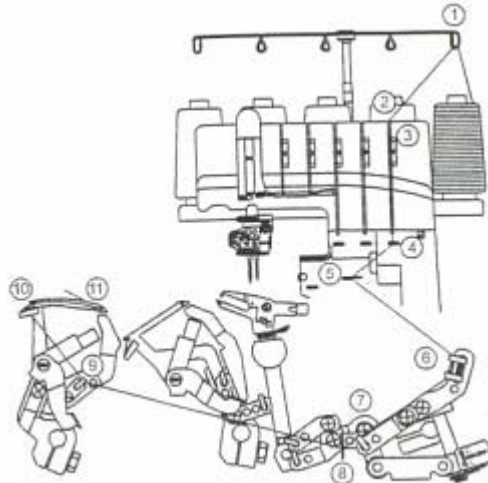
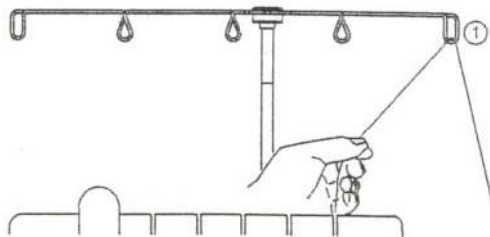
1. Turn handwheel until the Upper Looper is in the lowest position.
2. Push the clutch button to the left and up to disengage.



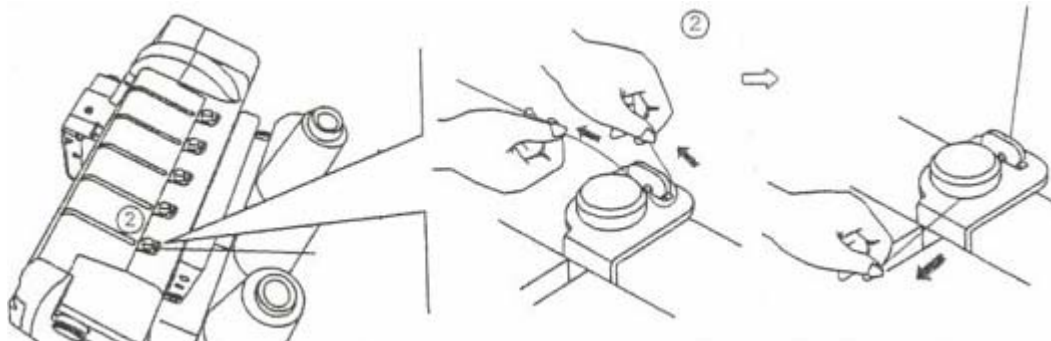
Upper Looper Disengaged

◆ Thread Chainstitch Looper with a decorative thread

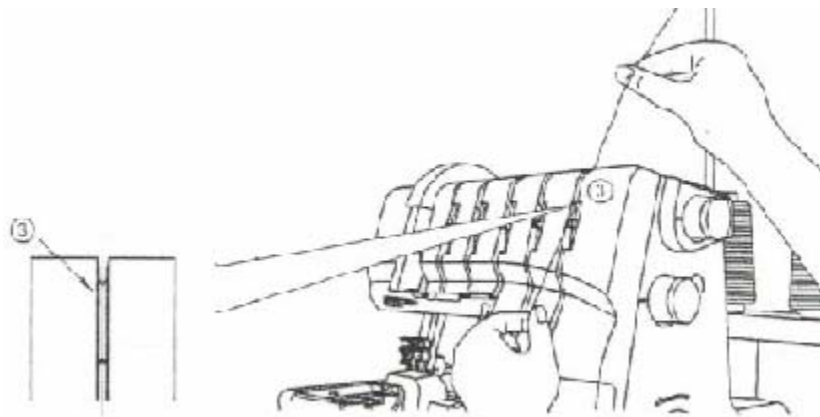
1. Raise the Presser foot to release the tension disks. Pass the thread from the back to the front through the thread guide ①.



2. Thread the top cover thread guide by pulling the thread towards the left until it slips under the guide. Then pull thread along the right side of the button, as illustrated.



3. While holding the thread, firmly pull the thread between the tension disks.

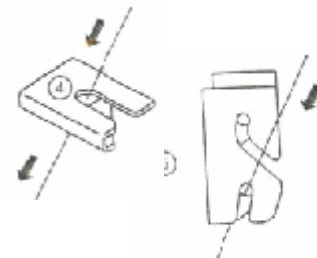


4. Turn the hand wheel toward you until the Chainstitch Looper extends out 10mm (approximately ½") from the needle plate edge.



5. Thread the looper area of the machine following the brown color-coded thread guides 4-11. Use the tweezers provided in the accessory case to aid in threading the looper.

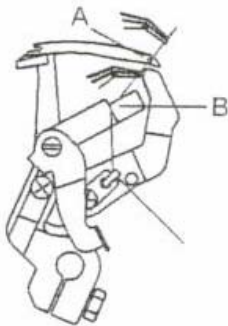
6. Place the thread through threading guide ④ and ⑤.



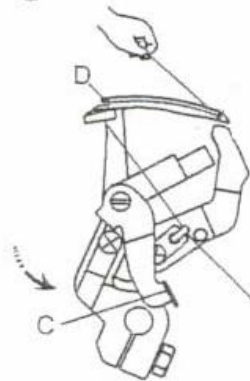
7. Continue threading guides ⑥, ⑦, ⑧ and ⑨.

8. Thread the looper eye (A) from front to back. Pull about 4 inches of thread through the looper. Position the thread into the V cutout (B) on the threader. Firmly hold the thread tail with your left hand and pull threader lever (C) up into place (D). Gently pull 5-6" of thread to the back of the machine.

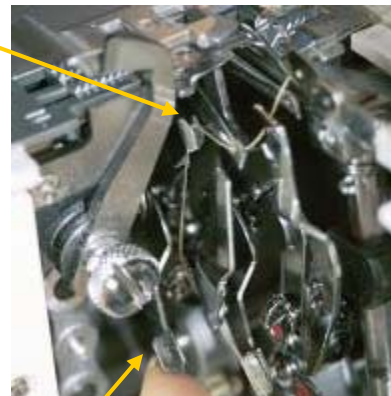
⑩



⑪



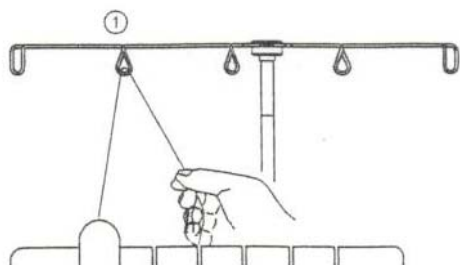
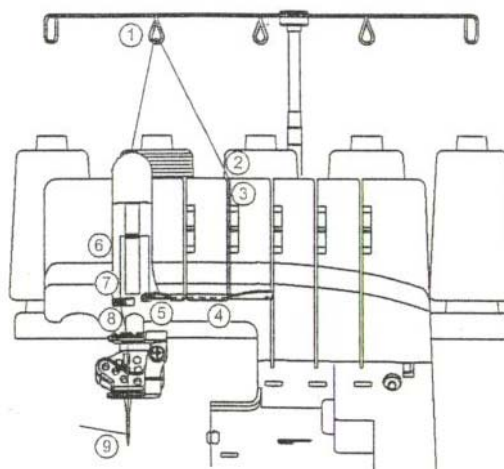
"V" cutout



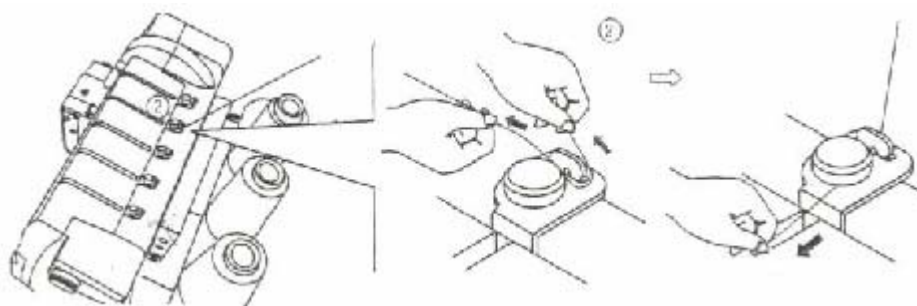
Threader lever

◆ Thread Middle Cover Stitch Needle with regular overlock thread.

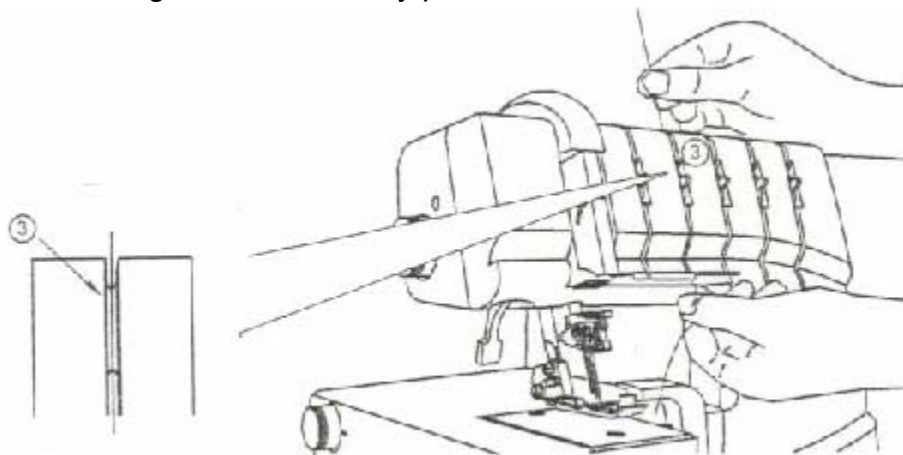
1. Raise the Presser Foot to release the tension disks. Thread the Cover Stitch Middle/Chain Stitch needle as illustrated 1-9.
2. Pass thread from back to the front through the thread guide ①.



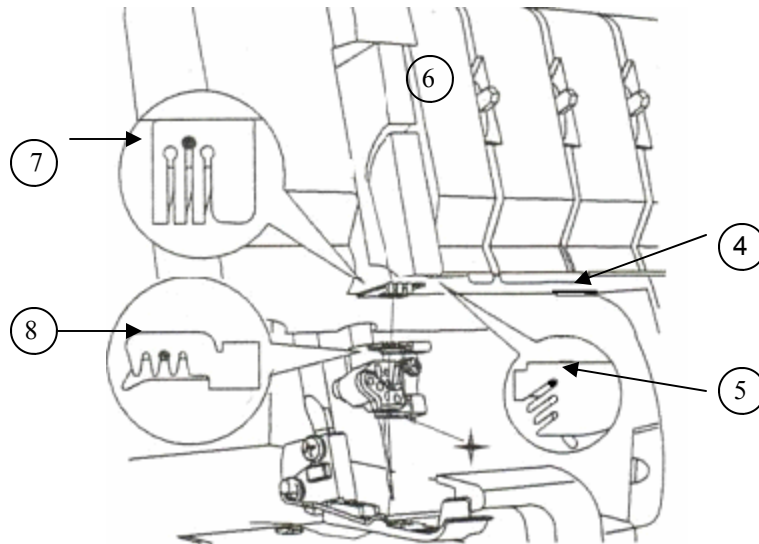
3. Thread the top cover thread guide by pulling the thread towards the left until it slips under the guide. Then pull the thread along the right side of the button as illustrated.



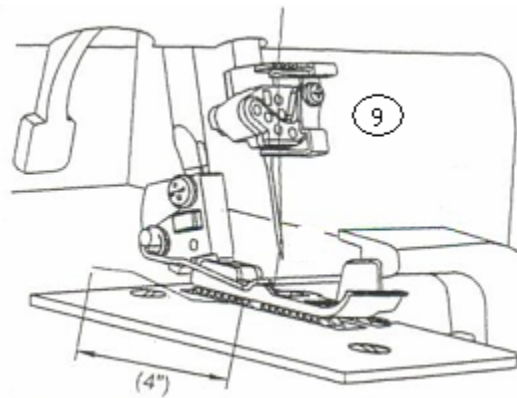
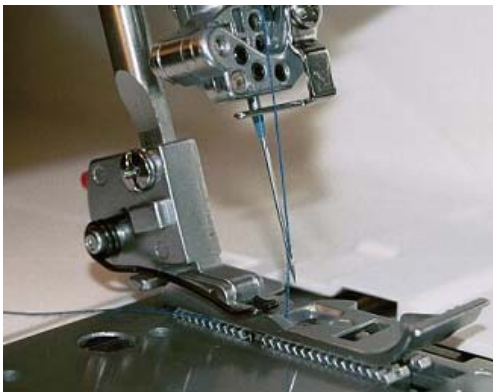
4. While holding the thread, firmly pull the thread between the tension disks.



5. Continue to thread points 4-8. Slip the thread into the middle slot of the thread guide ⑤. Go over the take up lever ⑥. Continue by slipping the thread into the middle slot of the thread guides ⑦ and ⑧.
6. Before threading the eye of the needle, make sure the thread is in front of the thread guide located on the bottom of the needle clamp for the Cover Stitch or Chainstitch.



7. Thread the eye of the Middle Cover Needle ⑨.



8. Draw about 4 inches of the thread through the needle eye towards the back of the machine.
9. Place the thread to the back, under the Presser Foot. Lower foot and sew.

Try It:

- ◆ Fuse a layer of fabric to a lightweight batting.
- ◆ Fuse a fabric backing to the other side of the batting, to create a quilted piece of fabric.
- ◆ Using a rinse-away fabric marking pen draw a design lines on the wrong side of the fabric.

Make soft gentle turns; gradual curves work best. Avoid making sharp corners.

- ◆ Lift the Presser Foot to the highest position.
- ◆ Position the fabric right side down. Align the needle with one of the lines drawn.
- ◆ Lower the Presser Foot and sew.
- ◆ The decorative thread will be on the under side.



- ◆ When sewing the Double Chainstitch, it is necessary to have fabric under the needle. Avoid sewing off the fabric.
- ◆ Continue sewing, following the drawn marking.
- ◆ To remove fabric, gently turn handwheel to loosen threads.
- ◆ Turn fabric over to see the decorative stitching.

